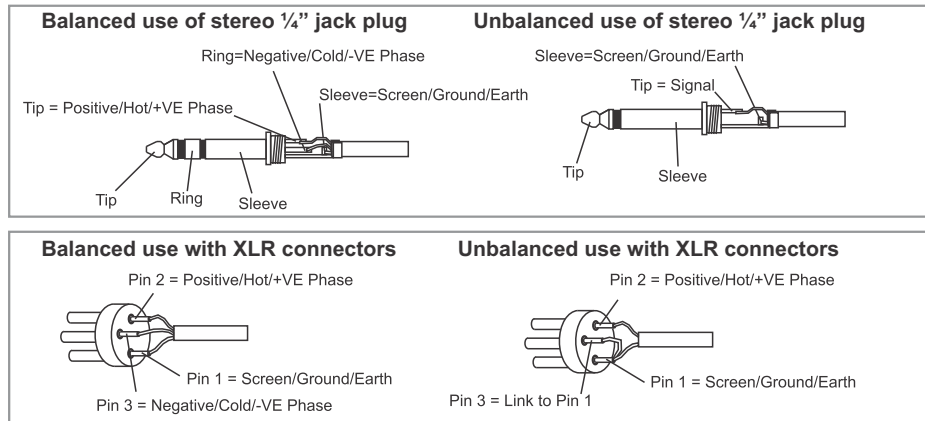


## 11. Connections



## 12. Technical Specification

Model	PLAY 900
Driver Size	LF (Woofer) : 1x15" Dual Voice Coil HF (Tweeter) : 1x1"
Power Output	100W (RMS)
Frequency Response	40Hz-20kHz
S/N Ratio	>77dB
Inputs	2 x 6.35mm (1/4") Mic Input, 1 x 6.35mm (1/4") Line Input
Output	1 x 6.35mm (1/4") Line Output
Equalization	Bass: ±10dB @ 100Hz Treble: ±10dB @ 10kHz
Battery	Rechargeable 7000mAh 12V Lead Acid
Power Supply	240V, 50Hz Mains Supply
External Battery	+12V DC via Terminals on Rear Panel
Enclosure Material	PP (Polypropylene)
Dimensions (W x D x H) mm	420 x 440 x 760
Weight (Kg)	19

\* Design and specification are subject to change without notice.

Studiomaster® and SMProfessional® are registered trademarks of Audioplus in India. © Copyright Audioplus. All rights reserved. Any unauthorised reproduction or use of logos, images or design elements is strictly prohibited by law. No part of the compilation may be reproduced in any manner or translated without written permission.

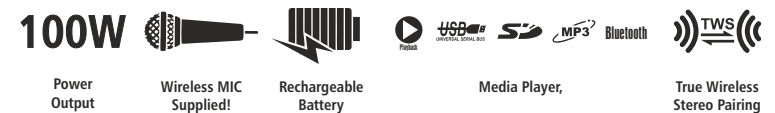
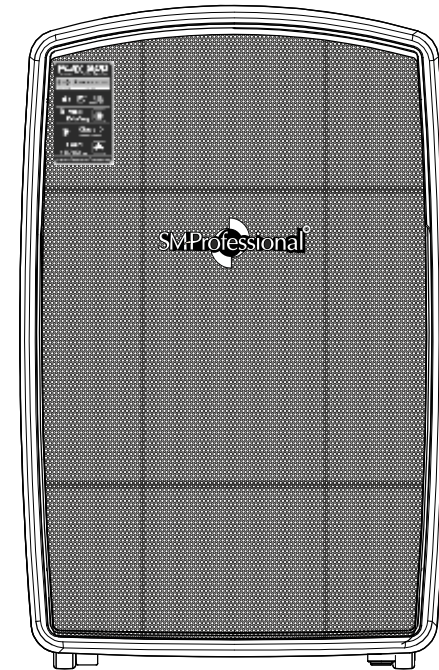
Brought to you by: A1/A2, Giriraj Industrial Estate, Mahakali Caves Road, Andheri (E), Mumbai - 400 093, India Tel.: +91-22-42869000/001  
**AUDIPLUS** Whats App.: +91-8879028079 E info@audioplus-india.com W www.studiomasterprofessional.com / www.audioplus-india.com

Rev 1 / SMP PLAY 900 / April 2026

# SMProfessional®

## PLAY 900

### Portable PA Amplifier



1.....	Introduction
2.....	Features
3.....	Applications
4.....	Rear Panel Description
5.....	Bluetooth Operation
6.....	True Wireless Stereo (TWS) Function & Operation
7.....	Handheld Transmitter Operation and Features
8.....	IR Remote Control Features
9.....	Set Up
10.....	Block Diagram
11.....	Connections
12.....	Technical Specifications

I N S T R U C T I O N M A N U A L

## 1. Introduction

- Thank you for choosing the SMProfessional Play 900 Portable Active PA Trolley Speaker.
- To ensure maximum performance and safety, please follow this instruction manual carefully.
- Please retain this manual for future reference. For any complaint, feedback or testimonials please contact authorised SMProfessional distributor/dealer.
- Retain the carton for future use should the product require servicing/maintenance.

## 2. Features

- Features Multiple Drivers: 1 x 15" Woofer, 1x1" Tweeter.
- Ships with 2 x UHF Wireless Handheld Microphones.
- Wireless IR Remote Control.
- Inputs: 2 x 6.35mm (1/4") Mic, 1 x 6.35mm (1/4") Line.
- Output: 1x 6.35mm (1/4") Line Out.
- MIC/VOX Priority Feature.
- Echo/Delay EFX on MIC Inputs with Level Control.
- Volume Controls for MIC and Line and Media Player Inputs.
- Separate 2-Band (Bass/Treble) EQ for Media Player, Line Input and Mic Inputs.
- Built-in Rechargeable 7000mAh 12V Lead Acid Battery.
- 240V AC Main Supply Operation, Cable Supplied.
- 12V DC Car/Motorcycle Battery Operation.
- Integrated Carry and Trolley Handles with Castor Wheels for Easy Transportation.

## 3. Applications

- Parties & Gatherings
- Learning & Training Centres
- Religious Functions
- Group Presentations

## 4. Rear Panel Description

### Input Section

1. **Mic Input 1:** A 1/4" Unbalanced jack designed to accept signals from low-impedance wired microphones.
  2. **Mic Input 2:** A 1/4" Unbalanced jack designed to accept signals from low-impedance wired microphones.
- Line Input:** A 1/4" balanced jack designed to accept line-level signals from various external audio sources.

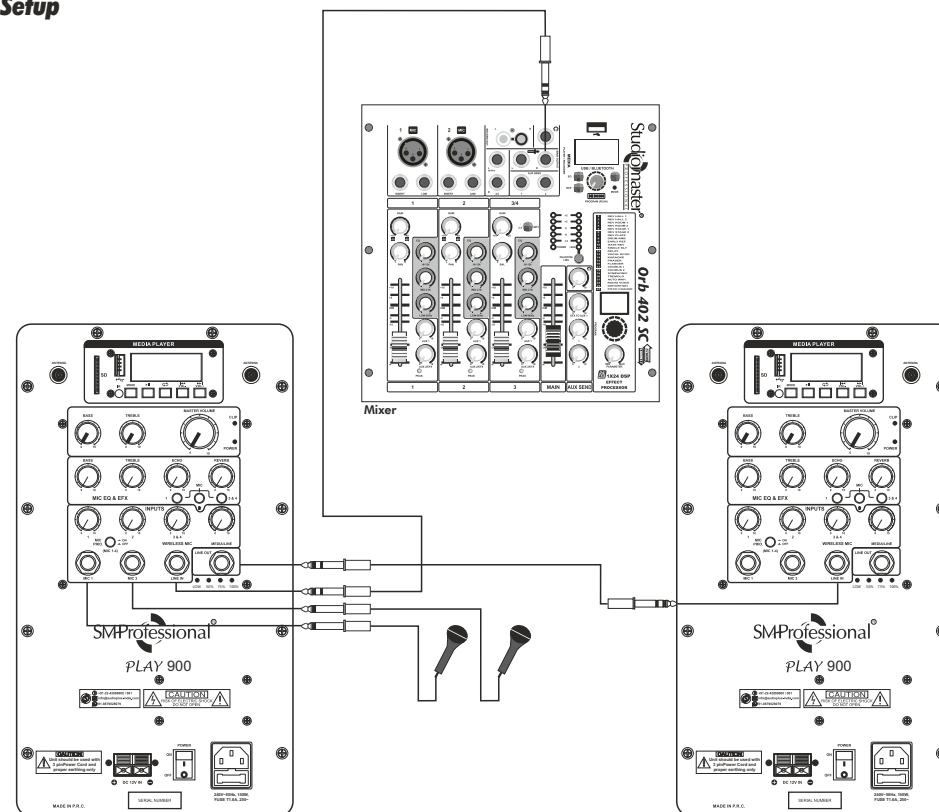
### Output Section

4. **Line Out:** A balanced 1/4" output jack used to connect or link the speaker to additional powered speakers.

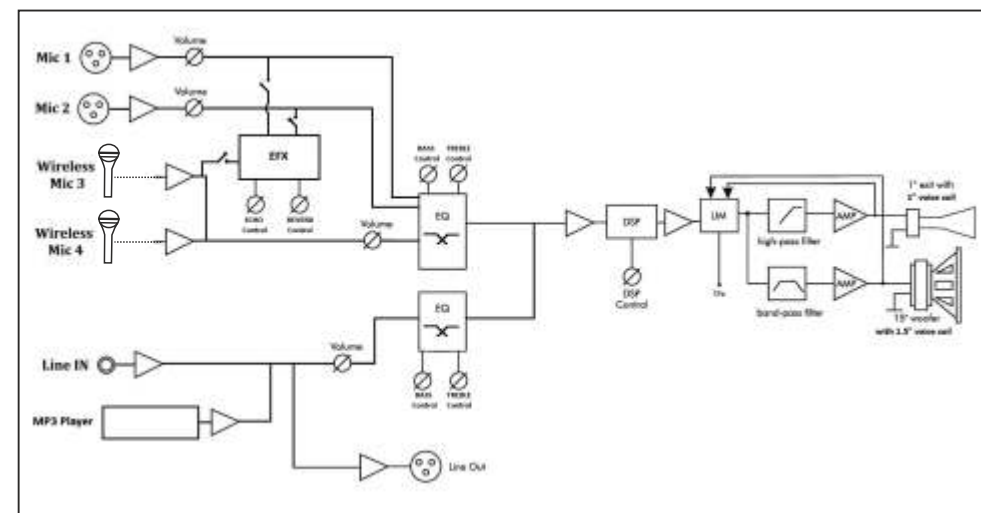
### Signal Indication Section

5. **Clip LED:** Indicates signal clipping or distortion at one or more inputs.  
**Action:** Reduce the input volume level on the speaker or lower the output level of the connected audio source.

## 9. Setup



## 10. Block diagram

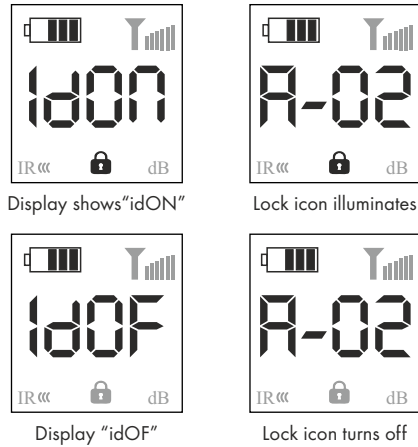


- d) Now press "+" to move to next frequency and "-" to move to previous frequency.
- e) After selecting the frequency, please wait for few seconds for the completion of frequency matching.

## 2) Locking and Unlocking Frequency/ID.

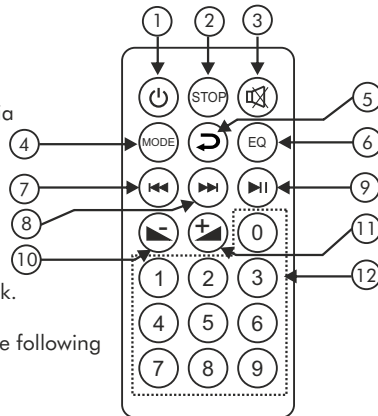
[To perform the below operations, please ensure that the Play900 speaker is switched on.]

- a) To lock the ID, press and hold the power button and the + button simultaneously.
- b) Once the microphone is locked the display will show "idON".
- c) And the lock icon on the display will illuminate.
- d) To unlock the ID, press and hold the power button and the + button simultaneously.
- e) Once the microphone is unlocked the display will show "idOF".
- f) And the lock icon on the display will go off.



## 8. IR Remote Control Features

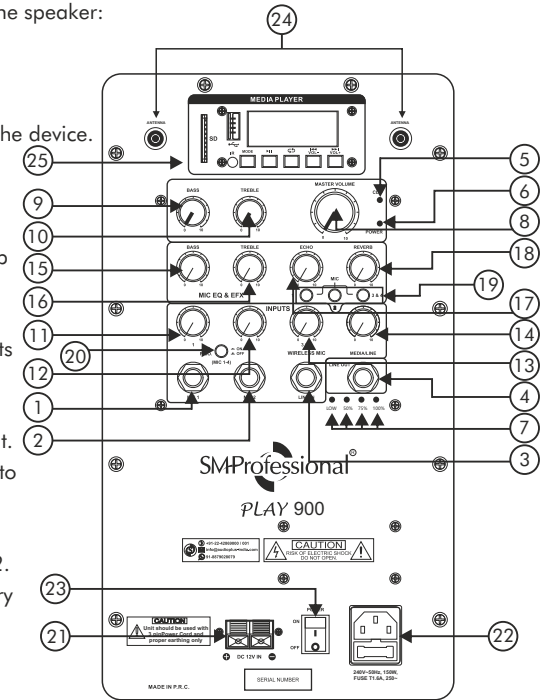
1. **Power:** Use this button to switch on/off the speaker.
2. **Stop:** Use this button to stop playback.
3. **Mute (M):** Press this button to mute or unmute the media player.
4. **Mode:** This button is used to switch between the Line, Bluetooth and USB/SD (when a device is inserted) media player mode.
5. **Repeat (R):** This button is used to repeat the current track.
6. **EQ:** Press the button to toggle between and use any of the following built-in-EQ presets.
  - a) Pop   b) Rock   c) Jazz   d) Classical   e) Club
7. **Previous (P):** Press this button to select the previous song.
8. **Next (N):** Press this button to select the next song.
9. **Play/Pause (P):** Press this button to play or pause the song.
10. **Volume (+):** During playback, press this button to increase the volume.
11. **Volume (-):** During playback, press this button to decrease the volume.
12. **Number Keys:** Use this numeric keypad for direct track selection.



6. **Power LED:** Indicates the power status of the speaker:
  - ON:** Speaker is powered on
  - OFF:** Speaker is powered off
7. **Battery LED:**
  - a) **Red LED:** Battery level is low; recharge the device.
  - b) **Blue LED:** Battery is fully charged.

## Control Section

8. **Master Level Control:** Use this rotary knob to adjust the overall output volume of the speaker.
9. **Master Bass:** Use this rotary knob to adjust the bass level of the speaker output.
10. **Master Treble:** Use this rotary knob to adjust the treble level of the speaker output.
11. **Mic 1 Level Control:** Use this rotary knob to adjust the volume level of Microphone 1.
12. **Mic 2 Level Control:** Use this rotary knob to adjust the volume level of Microphone 2.
13. **Wireless Mic Level Control:** Use this rotary knob to adjust the volume level of wireless Microphones 3 and 4 supplied with the speaker.
14. **Line Level Control:** Use this rotary knob to adjust the input volume level of the Line In source.
15. **Mic Bass:** Use this rotary knob to adjust the bass frequency level of Microphones 1 and 2.
16. **Mic Treble:** Use this rotary knob to adjust the treble frequency level of Microphones 1 and 2.
17. **Echo:** Use this knob to adjust the echo effect level applied to Microphones 1 and 2.
18. **Reverb:** Use this knob to adjust the reverb effect level applied to Microphones 1 and 2.
19. **Mic EFX button:** This button Enables or disables audio effects for Microphones 1, 2, and wireless Microphones 3 and 4.
20. **Mic priority switch:** This switch Activates the microphone priority function. When enabled, microphone input overrides all other audio inputs by automatically reducing their volume during speech.
  - Note:** This feature is recommended for announcements and public address applications.
21. **12V External Supply:** This is an input supply socket used to connect an external 12V Battery.
22. **Input Socket:** Use the supplied AC cord to connect the unit to AC mains. Make sure voltage and frequency stated on the unit matches with your local AC supply. The fuse can be accessed by the small drawer at the AC inlet. To change the fuse, unplug the AC cord first, pull out the fuse drawer and replace the fuse ONLY with a fuse of same voltage and rating. If the fuse blows again after replacement, hand over the unit to qualified service personnel.
23. **Power Switch:** Press it to switch the speaker on or off.
24. **Antenna Connector:** The antenna provided with speaker are to be attached here. use only when the wireless MIC is above 10mtr.
25. **Media Player:**
  - a. **Display:** The display provides operational status and relevant information during use of the speaker functions.
  - b. **TF/SD/MMC (Card Input):** This slot is used to insert a TF, SD, or MMC memory card for MP3 audio playback.



- c. **USB Driver Input:** This port allows connection of a USB flash storage device (pen drive) for MP3 playback and recording.
- d. **Mode:** Press this button to switch between Bluetooth Mode and Line Mode.
- e. **Play/Pause:** Press to start or pause audio playback.
- f. **Loop:** Press to repeat the currently playing music track.
- g. **Multi-function button Volume -/Back:**
  - Single Press:** Skips to the previous music track.
  - Long Press:** Decreases the volume level.
- h. **Multi-function button Volume +/Next:**
  - Single Press:** Skips to the next music track.
  - Long Press:** Increases the volume level.

### 5. Bluetooth Operation & Indication

- Single press the "MODE" button (on the top panel) to select Bluetooth mode.
- From your phone or device turn Bluetooth ON & search for a device named "Play 900" Pair and connect to it.
- Upon connection, any music or audio played on your device will be played via the Play 900.
- The music can be controlled either using the button on the top panel or the IR remote control.
- If you move out of range or turn off the Bluetooth feature on your mobile device, the speaker will disconnect from your device.
- To reconnect, click on the device name "Play 900" in your paired device list.
- If you want to switch from one device to another, end the existing Bluetooth connection from your device by either disconnecting via your device's "Setting" section or by turning the Bluetooth OFF.

#### TROUBLESHOOTING BLUETOOTH CONNECTION

PROBLEM	POSSIBLE SOLUTION
Paired Bluetooth device does not connect.	Already connected to other BT device. Disconnect and pair the devices again.
Cannot pair the speaker with your Bluetooth device.	Make sure you select "Play 900" in the pairing list on your device to finalize the connection.
	Your Bluetooth device may be out of range. Try moving it closer to the speaker.

### 6. True Wireless Stereo (TWS) Function & Operation

True Wireless Stereo (TWS) technology lets you use two Play 900 units paired via Bluetooth to form a wireless left and right channel system to deliver true stereo sound. Apart from a louder output, TWS empowers a wide stereo imaging and a natural, more pleasing sound.

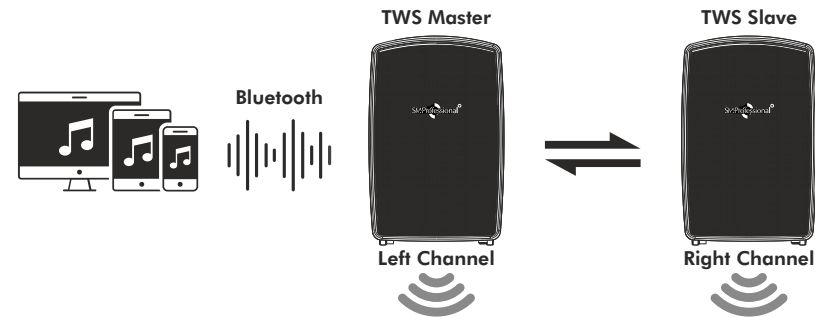
#### Requirements:

- 2 x Play 900 units with TWS compatibility
- Bluetooth device (smartphone, laptop, and TV etc.)

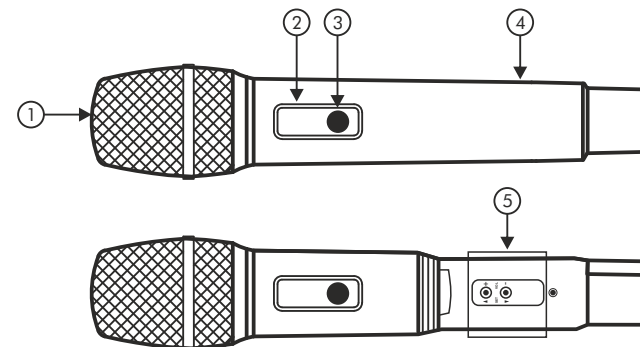
#### TWS Connection:

##### How to use TWS function:

1. Press "MODE" button on both Play 900 units to activate Bluetooth mode.
2. Now Long press "MODE" button for 2 seconds to switch to TWS mode.
3. Turn on the Bluetooth from your Mobile phone/Bluetooth device and pair it.
4. The TWS operation will activate.
5. To disable the TWS function long press the "MODE" button once again, this will switch off the TWS mode on the Play 900.



### 7. Handheld Transmitter Operation and Features



1. **Grill:** This hardened meshed grill protects the microphone diaphragm and also serves as an effective wind and pop filter.
2. **Display:** It displays information such as CH number and Frequency of the microphone.
3. **ON/OFF Switch:** This switch is used to power the microphone ON or OFF.
4. **Battery Housing Cover:** Rotate the cover anti-clockwise to unscrew and gain access to the battery compartment. Insert 2 x 1.5V AA Alkaline batteries to use the supplied wireless microphone.
5. **Multi-function button:**
  - a) **Volume (+):** Press this button once to increase the volume/gain of the microphone.
  - b) **Volume (-):** Press this button once to decrease the volume/gain of the microphone.

#### Microphone Features

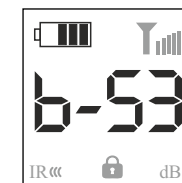
##### 1. Frequency Selection

[To perform the below operations, please ensure that the Play900 speaker is switched on.]

- a) Remove the battery cover of the wireless microphone.
- b) Press the + button for 3 seconds to enter the frequency selection mode.
- c) Once you enter the frequency selection mode the microphone will display "SEL".



Display shows "SEL"



Display shows set frequency